

# ADVANCED COMBUSTION SYSTEMS

ENGINEERING  
MANUFACTURING  
INSTALLATION  
SERVICE

## ASH/WASTE CONTAINERS



### FEATURES:

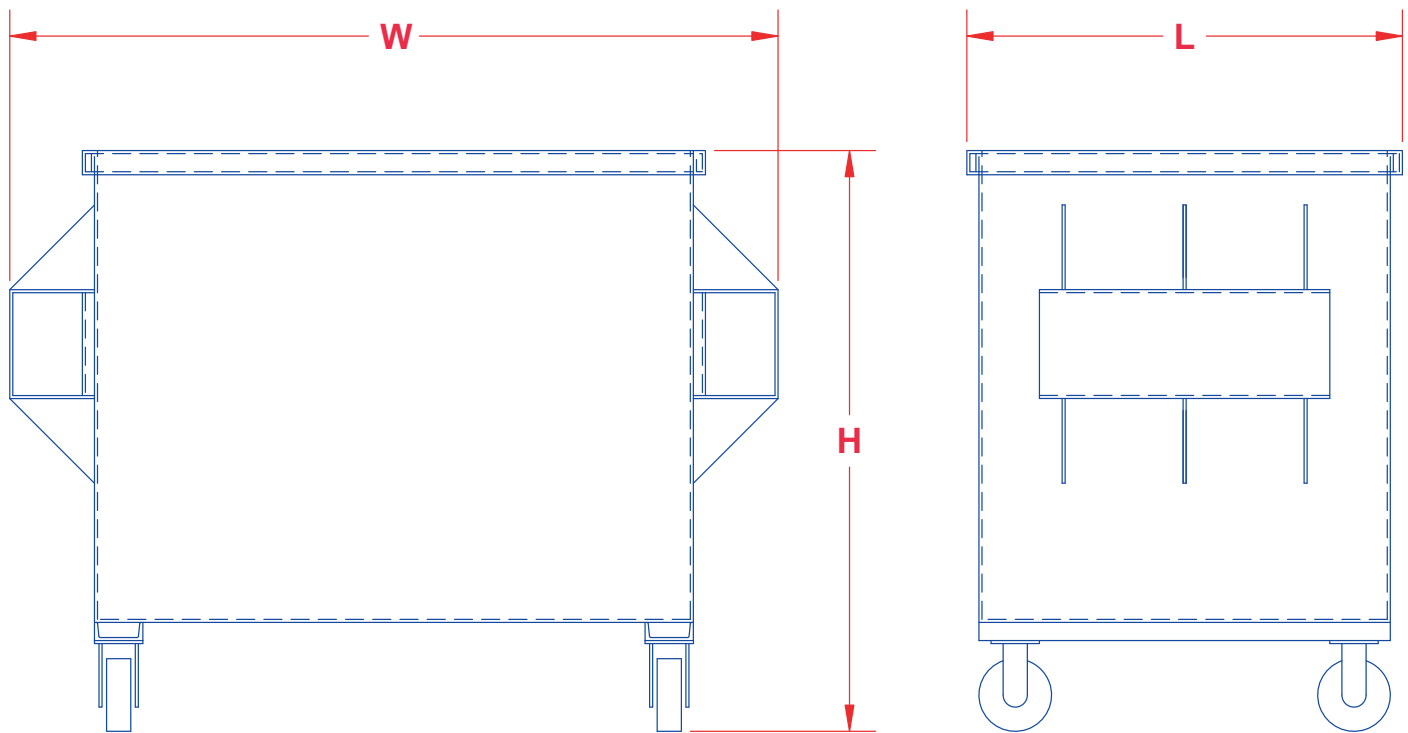
- Heavy-duty all welded construction
- Corrosion resistant high-temperature zinc oxide paint
- Optional stainless steel or galvanized construction
- Smooth rolling polyurethane / steel casters
- Quick release liquid drain
- Optional full opening steel or galvanized covers
- Designed and manufactured in the USA
- 5 YEAR "Total Component Warranty"

## ADVANCED COMBUSTION SYSTEMS

*A Division of ACS Inc.*

1999 ALPINE WAY, BELLINGHAM WA 98226  
PHONE: (360) 676-6005 • FAX: (360) 647-9439  
E-MAIL: [info@acs-accs.com](mailto:info@acs-accs.com)





## CONTAINER SPECIFICATIONS

MODEL NUMBER	OVERALL DIMENSIONS <sup>1</sup>			MATERIAL CAPACITY (YD <sup>3</sup> )	MATERIAL CAPACITY (LBS.)	STEEL THICKNESS GAUGE	PART NUMBER	UNIT WEIGHT (LBS.)
	H	W	L					
AWC-05	3'-6"	3'-0"	2'-0"	0.5	675	14	1404D-05	250
AWC-10	4'-0"	4'-0"	2'-6"	1	1350	14	1404D-04	350
AWC-15	4'-4"	5'-0"	3'-0"	1.5	2025	12	1404D-03	450
AWC-20	4'-6"	5'-6"	3'-4"	2	2700	12	1404D-02	550
AWC-25	4'-8"	5'-6"	4'-0"	2.5	3375	12	1404D-01	650

1. Dimensions can be modified to meet specific applications.

### SERVICES:

- INSTALLATION AND START-UP SERVICES
- SERVICE AND MAINTENANCE CONTRACTS FOR ALL MAKES
- LARGE PARTS INVENTORY FOR IMMEDIATE SHIPMENT
- REBUILDS AND MODIFICATIONS TO EXISTING INCINERATORS

**ADVANCED COMBUSTION SYSTEMS CAN ALSO PROVIDE A QUOTATION FOR YOUR CUSTOM CONTAINER SPECIFICATIONS.**

**ACS, Inc. is your sole source manufacturer for complete incineration systems including waste handling, heat recovery, emission controls and monitoring.**



**ACS INCORPORATED**  
 1999 ALPINE WAY BELLINGHAM, WA 98226  
 PHONE: 360.676.6005 FAX: 360.647.9439  
 TOLL FREE: 800.445.0243  
 WWW.ACS-ACS.COM

