

ADVANCED COMBUSTION SYSTEMS

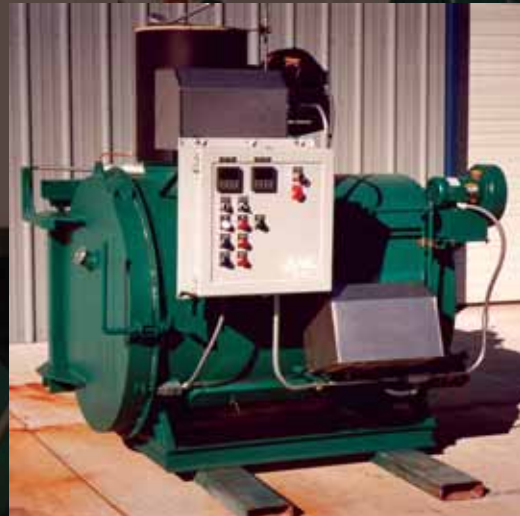
ENGINEERING
MANUFACTURING
INSTALLATION
SERVICE

MARINE INCINERATORS

Advanced Combustion Systems' MCA-Series Marine Incinerators are designed and manufactured with the latest technology, providing a rugged and durable incinerator for the marine industry. Both vertical and horizontal models are available for above and below deck applications. ACS marine incinerators are engineered for maximum performance and efficiency while maintaining high reliability with low maintenance, meeting the most stringent EPA emission requirements throughout the world.

FEATURES:

- Heavy-duty all welded construction
- High strength, durable castable high temperature refractory lining
- Fully automatic electrical controls
- Simple and reliable operation
- Single batch or continuous waste loading
- Vertical and horizontal configurations
- Modular design for easy installation
- Full swing combustion chamber door for total access
- Liquid waste dam
- Meets U.S. EPA & EU regulations
- USCG, ABS type approved for shipboard use according to MARPOL Annex VI & MEPC.76(40)
- Designed and manufactured in the USA
- 5 YEAR "Total Component Warranty"



OPTIONS:

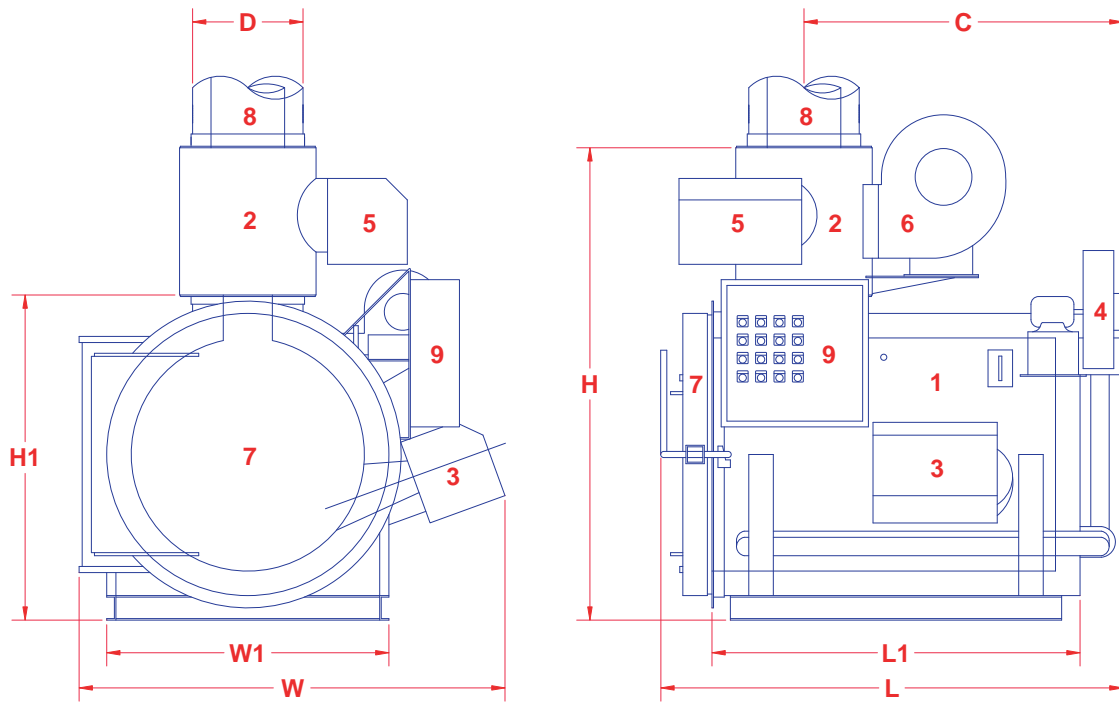
- Auxiliary load door
- Liquid waste injection
- Automatic waste loading systems
- Galvanized compound exterior surface

ADVANCED COMBUSTION SYSTEMS

A Division of ACS Inc.

1999 ALPINE WAY, BELLINGHAM WA 98226
PHONE: (360) 676-6005 • FAX: (360) 647-9439
E-MAIL: info@acs-accs.com





1. PRIMARY COMBUSTION CHAMBER
2. SECONDARY COMBUSTION CHAMBER
3. PRIMARY BURNER(S)

4. PRIMARY BLOWER
5. SECONDARY BURNER(S)
6. SECONDARY BLOWER

7. PRIMARY LOAD DOOR
8. INCINERATOR STACK
9. CONTROL PANEL

MODEL NUMBER	OVERALL DIMENSIONS ¹								MAX. CHARGE CU. FT.	BURN RATE (MAX.) LBS./HR. ²	CAPACITY (MAX.) MMBTUH	APPROX. WEIGHT LBS. ³
	H	H1	W	W1	L	L1	C	D				
†† MCA-50	5'-10"	3'-10"	5'-0"	3'-2"	5'-0"	4'-0"	3'-4"	1'-4"	14	65	0.28	2,800
†† MCA-100	6'-4"	4'-4"	5'-8"	3'-10"	6'-2"	5'-0"	4'-3"	1'-6"	27	125	0.54	4,100
†† MCA-150	7'-4"	5'-4"	6'-5"	4'-8"	7'-0"	5'-6"	4'-5"	1'-10"	41	180	0.82	6,200
†† MCA-200	7'-7"	5'-4"	6'-5"	4'-8"	8'-8"	7'-6"	6'-4"	2'-0"	54	240	1.08	8,000
†† MCA-300	8'-7"	6'-5"	7'-6"	5'-8"	8'-1"	6'-10"	5'-4"	2'-2"	81	375	1.62	14,000
†† MCA-400	9'-0"	6'-5"	7'-6"	5'-8"	11'-6"	9'-0"	8'-0"	2'-6"	108	500	2.16	16,850
†† MCA-500	9'-8"	7'-1"	8'-2"	6'-3"	10'-10"	9'-6"	8'-0"	2'-10"	135	625	2.7	19,700

1. Dimensions can be modified to meet specific applications 2. Actual burning rate depends upon waste composition. 3. Weight will vary depending on the options ordered.
‡ United States Coast Guard (USCG) Type Approved † American Bureau of Shipping (ABS) Type Approved

Services:

- Installation and start-up services
- Large parts inventory for immediate shipment
- Service and maintenance contracts for all makes
- Rebuilds and modifications to existing incinerators

Advanced Combustion Systems' Engineering and Testing Facilities are available for complete design and component selection. ACS can custom design and manufacture incineration and control systems to meet any specific application.

ACS, Inc. is your sole source manufacturer for complete incineration systems including waste handling, heat recovery, emission controls and monitoring.



ACS INCORPORATED
1999 ALPINE WAY BELLINGHAM, WA 98226
PHONE: 360.676.6005 FAX: 360.647.9439
TOLL FREE: 800.445.0243
WWW.ACS-ACS.COM

