

# ADVANCED COMBUSTION SYSTEMS

ENGINEERING  
MANUFACTURING  
INSTALLATION  
SERVICE

## PATHOLOGICAL SOLID WASTE INCINERATORS

Advanced Combustion Systems' HSW Series Medwaste Incinerators are designed and manufactured with the latest controlled-air technology providing maximum performance and efficiency while meeting the latest EPA emissions regulations in 40 CFR Part 60, Subpart Ec.



### FEATURES:

- Heavy-duty all welded construction
- High strength, durable monolithic castable refractory lining
- Fully integrated PLC controls
- Automatic waste loading systems
- Automatic ash removal systems
- Modular design for easy installation
- Fully modulated air supply, temperature control
- Modular design for easy installation
- 5 YEAR "Total Component Warranty"

### OPTIONS:

- Multiple unit installations
- Continuous emission monitoring (CEMS)
- Data acquisition and control systems
- Custom designs as needed

## ADVANCED COMBUSTION SYSTEMS

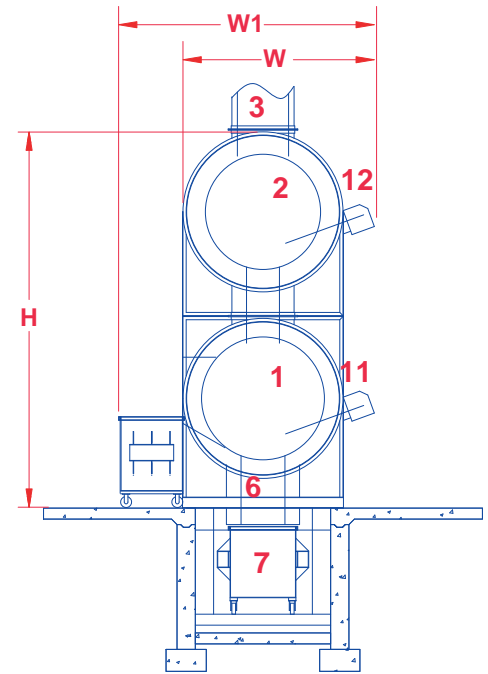
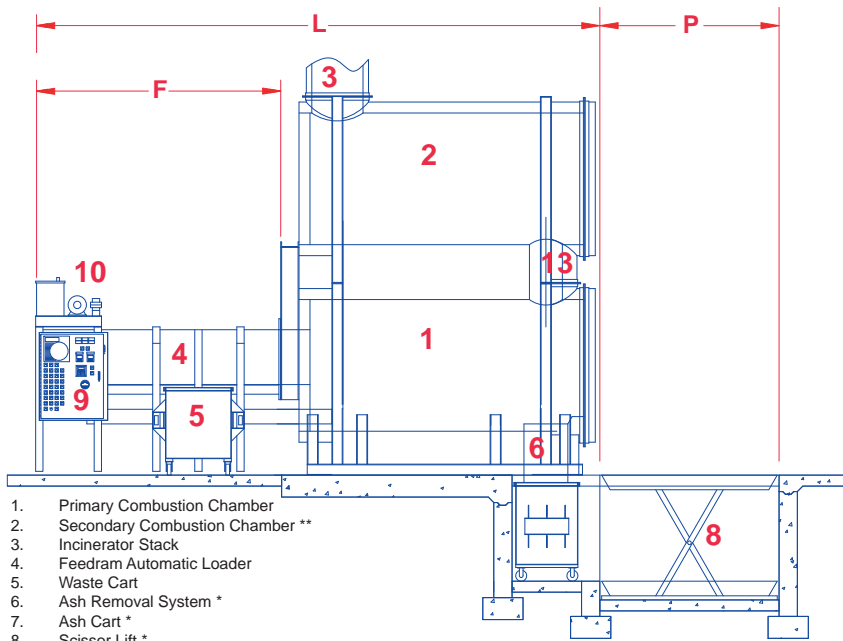
*A Division of ACS Inc.*

1999 ALPINE WAY, BELLINGHAM WA 98226

PHONE: (360) 676-6005 • FAX: (360) 647-9439

E-mail: [info@acs-accs.com](mailto:info@acs-accs.com)





1. Primary Combustion Chamber
2. Secondary Combustion Chamber \*\*
3. Incinerator Stack
4. Feedram Automatic Loader
5. Waste Cart
6. Ash Removal System \*
7. Ash Cart \*
8. Scissor Lift \*
9. Control Panel
10. Hydraulic Power Unit
11. Primary Burner(s)
12. Secondary Burner(s)
13. Port Air Injection System

\* Optional  
 \*\* 2 second retention time secondary shown

Model Number	Overall Dimensions <sup>1</sup>					Max. Charge (cu-yd)	Burning Rate (lbs/hr) <sup>2</sup>	Approx. Weight (lbs) <sup>3</sup>
	H	W	L	F	P			
CA-500P	15'-9"	9'-6"	22'-0"	11'-2"	8'-2"	5.0	250 - 375	45,000
CA-750P	17'-3"	10'-0"	22'-6"	11'-2"	8'-2"	7.5	375 - 500	55,750
CA-1000P	17'-3"	10'-0"	24'-6"	11'-2"	8'-2"	10.0	500 - 700	66,000
CA-1250P	20'-3"	10'-9"	22'-6"	11'-2"	8'-2"	12.5	625 - 800	76,500
CA-1500P	20'-3"	10'-9"	24'-6"	11'-2"	8'-2"	15	750 - 1,000	84,250
CA-2000P	22'-6"	12'-0"	25'-6"	11'-2"	8'-2"	20.0	1,000 - 1,200	107,500
CA-2500P	22'-6"	12'-0"	29'-6"	11'-2"	8'-2"	25.0	1,250 - 1,400	122,500
CA-3000P	22'-6"	14'-0"	29'-6"	14'-0"	8'-2"	30.0	1,500 - 2,000	150,000
CA-4000P	22'-6"	14'-0"	33'-6"	14'-0"	8'-2"	40.0	2,000 - 2,700	180,000

1. Dimensions can be modified to meet specific applications. 2. Actual burning rate depends upon waste composition. 3. Weight will vary with options ordered.

### Services:

- Installation and start-up services
- Large parts inventory for immediate shipment
- Service and maintenance contracts for all makes
- Rebuilds and modifications to existing incinerators

Advanced Combustion's Engineering and Testing Facilities are available for system design and component selection. ACS can custom design and manufacture burning and control systems to meet any specific application.

**ACS, Inc. is your sole source manufacturer for complete incineration systems including waste handling, heat recovery, emission controls and monitoring.**



693.1

20050425

**ACS INCORPORATED**  
 1999 ALPINE WAY BELLINGHAM, WA 98226  
 PHONE: 360.676.6005 FAX: 360.647.9439  
 TOLL FREE: 800.445.0243  
 WWW.ACS-ACS.COM

