

ADVANCED COMBUSTION SYSTEMS

ENGINEERING
MANUFACTURING
INSTALLATION
SERVICE

MELTING POTS

Advanced Combustion Systems' PF-Series Melting Pots are designed and manufactured with the latest industry technology, providing a rugged and durable unit for harsh environments. ACS PF-Series Melting Pots are engineered for maximum performance and efficiency while maintaining high reliability with low maintenance.



OPTIONS:

- Fully modulated air supply, temperature controlled
- Fully integrated PLC controls
- Multiple Unit installations

FEATURES:

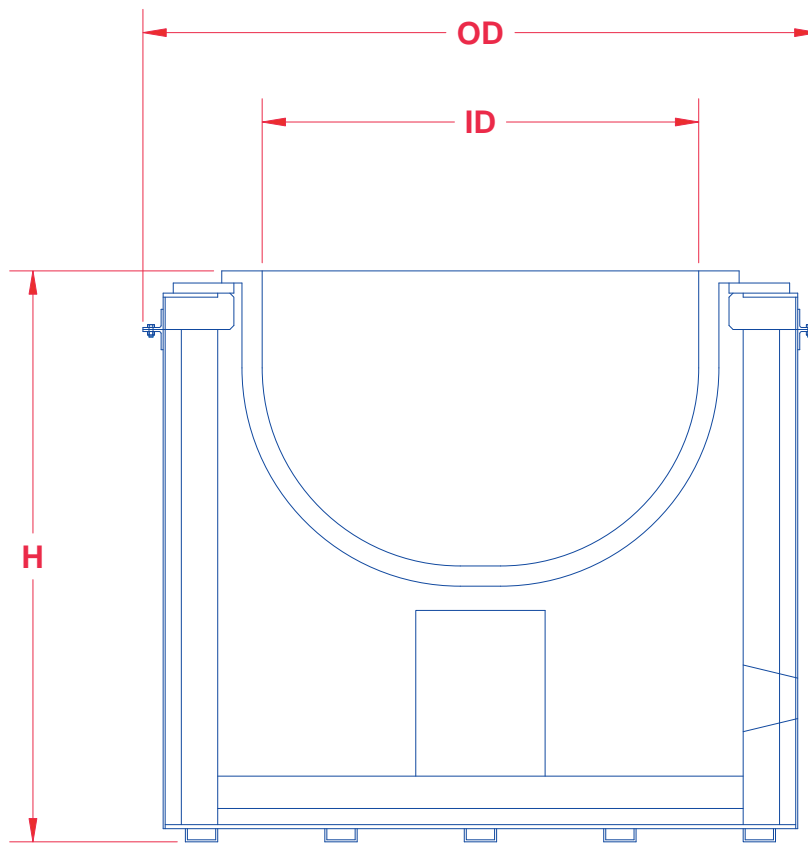
- Heavy-duty all welded construction
- High strength, durable monolithic castable refractory lining
- Fully automatic electrical controls
- Simple and reliable operation
- Modular design for easy installation
- Factory plumbed, wired, and tested prior to shipment
- Designed and manufactured in the USA
- 5 YEAR "Total Component Warranty"

ADVANCED COMBUSTION SYSTEMS

A Division of ACS Inc.

1999 ALPINE WAY, BELLINGHAM WA 98226
PHONE: (360) 676-6005 • FAX: (360) 647-9439
E-mail: info@acs-accs.com





Model Number	Overall Dimensions ¹			Max. Capacity (cu-in)	BTU/Hour	Approx. Weight (lbs) ³
	H	OD	ID			
PF-15A-800	5'-0"	4'-5"	2'-7"	12,827	800,000	4,800
PF-22-800	5'-4"	5'-4"	3'-3"	22,638	800,000	6,000
PF-37WU4-1600	5'-9"	5'-10"	3'-6"	32,025	1,600,000	8,400
PF-43D-1600	5'-11"	6'-6"	4'-6"	57,750	1,600,000	9,400

1. Dimensions can be modified to meet specific applications. 2. Actual burning rate depends upon waste composition. 3. Weight will vary on options ordered.

Services:

- Installation and start-up services
- Large parts inventory for immediate shipment
- Service and maintenance contracts for all makes
- Rebuilds and modifications to existing incinerators

Advanced Combustion's Engineering and Testing Facilities are available for system design and component selection. ACS can custom design and manufacture burning and control systems to meet any specific application.

ACS, Inc. is your sole source manufacturer for complete incinerator systems, including waste handling, heat recovery, emission controls and monitoring



704

ACS INCORPORATED
 1999 ALPINE WAY BELLINGHAM, WA 98226
 PHONE: 360.676.6005 FAX: 360.647.9439
 TOLL FREE: 800.445.0243
 WWW.ACS-ACS.COM

